



# Circuits & Controls

Product Catalog  
Water Level Controllers

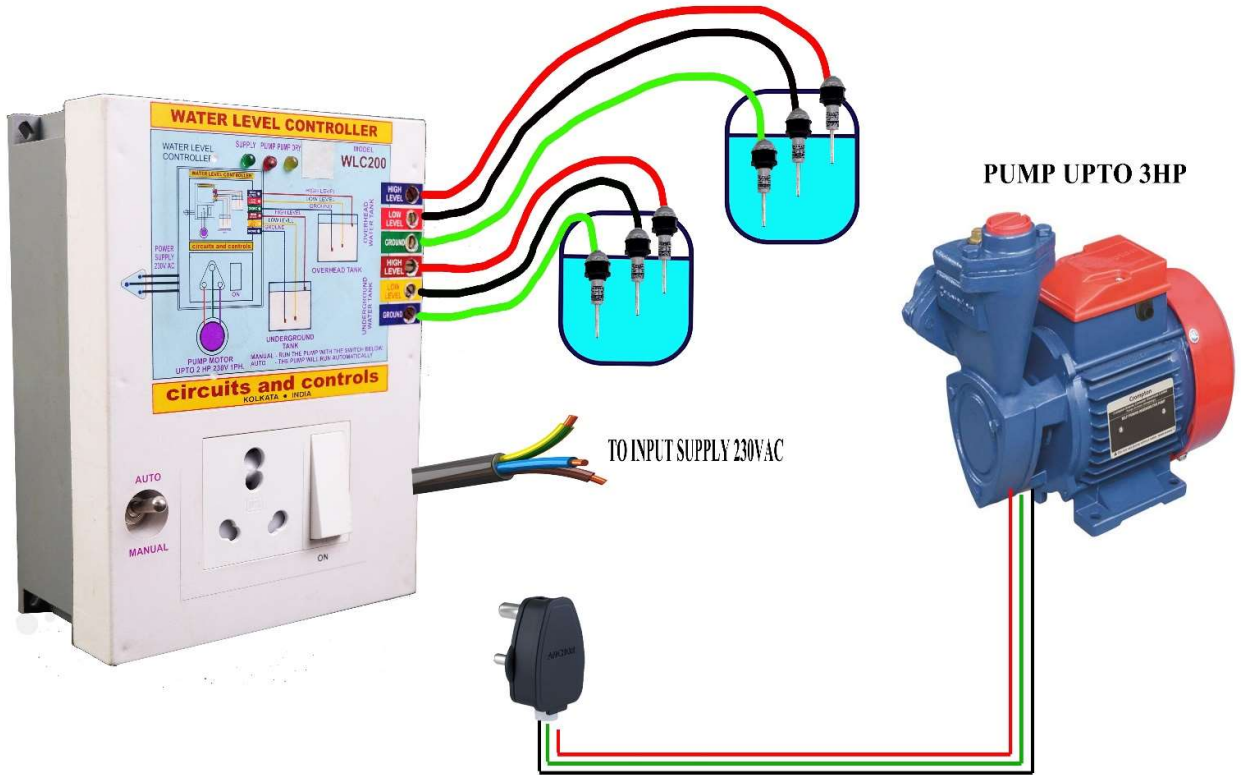


## ***Water Level Controller (WLC200)***

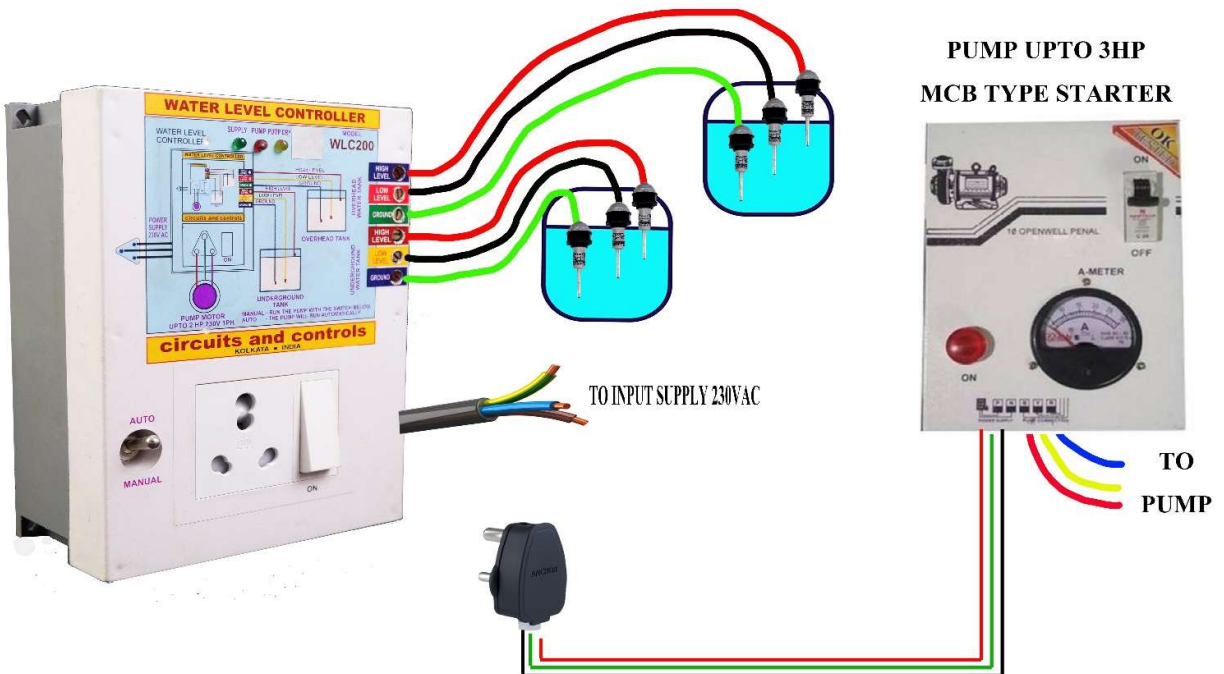
***Starts the pump automatically when the overhead tank is empty and stops the pump when the tank is full.***

- ***Prevents wastage of water and electricity.***
- ***No shortage of water because overhead tank will never be empty.***
- ***Pump dry trip facility with 3 sensors in reservoir tank.***
- ***Works with monoblock pump upto 3 H.P, D.O.L Starter and MCB type Submersible Starter.***
- ***Manual and auto mode switch.***
- ***Load capacity of 20Amp ( Inductive)***
- ***Led indicators for Supply, Load and pump dry.***
- ***Rigid ABS Housing.***

## WLC200 CONNECTION DIRECTLY WITH MONOBLOCK PUMP



## WLC200 CONNECTION WITH MCB TYPE SUBMERSIBLE PUMP STARTER



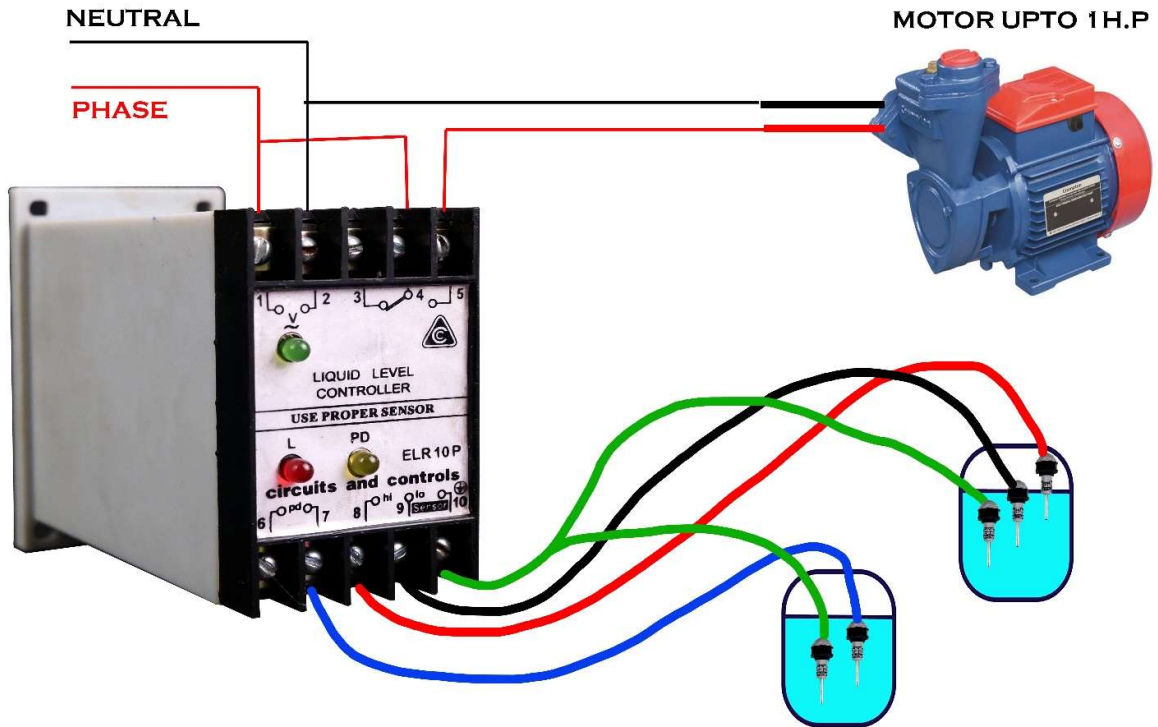


## Liquid Level Controller(ELR 10P)

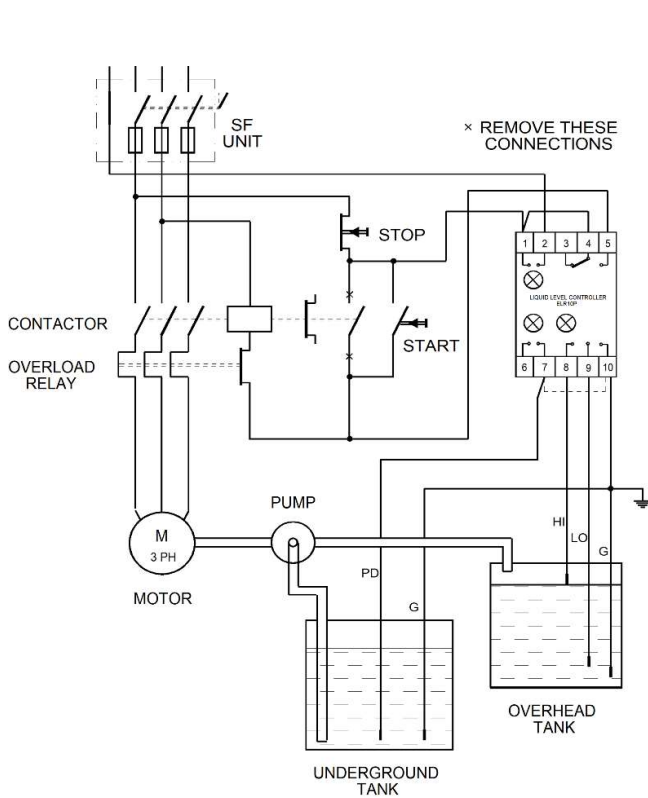
*Starts the pump automatically when the overhead tank is empty and stops the pump when the tank is full.*

- *Works with any HP pump, when connected via starter as no load passes through controller. Upto 1 HP pump if connected directly.*
- *Prevents wastage of water and electricity.*
- *No shortage of water because overhead tank will never be empty.*
- *Auto/Manual connection can be made separately using 5A 2-way switch.*
- *3 Sensors for Overhead Tank and 2 Sensors for Reservoir Tank*
- *Works with DOL Starter, Direct Pump upto 1H.P.*
- *Led indicators for Pump dry, Load and Line.*
- *Pump dry trip facility.*

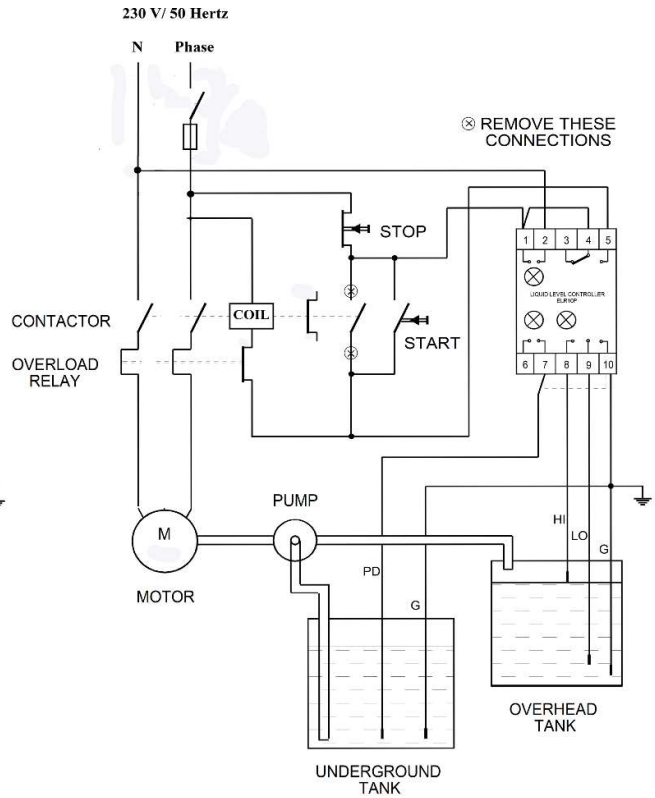
# ELR10P CONNECTION DIRECTLY WITH MONOBLOCK PUMP

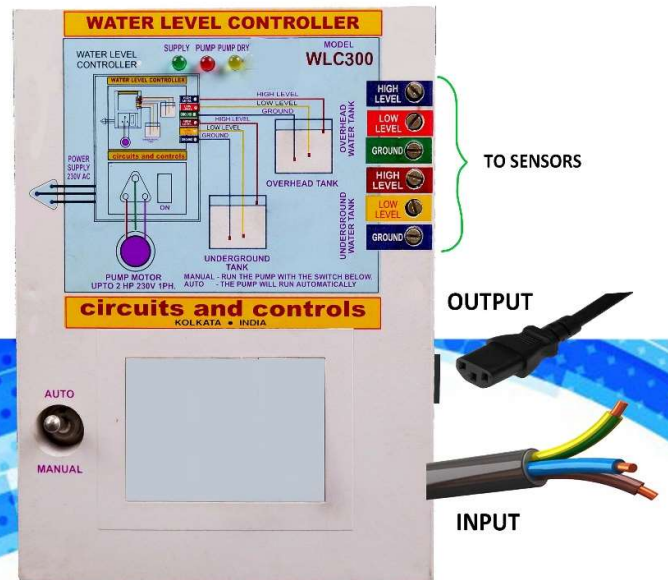


## WITH 3-PHASE DOL STARTER



## WITH SINGLE PHASE DOL STARTER



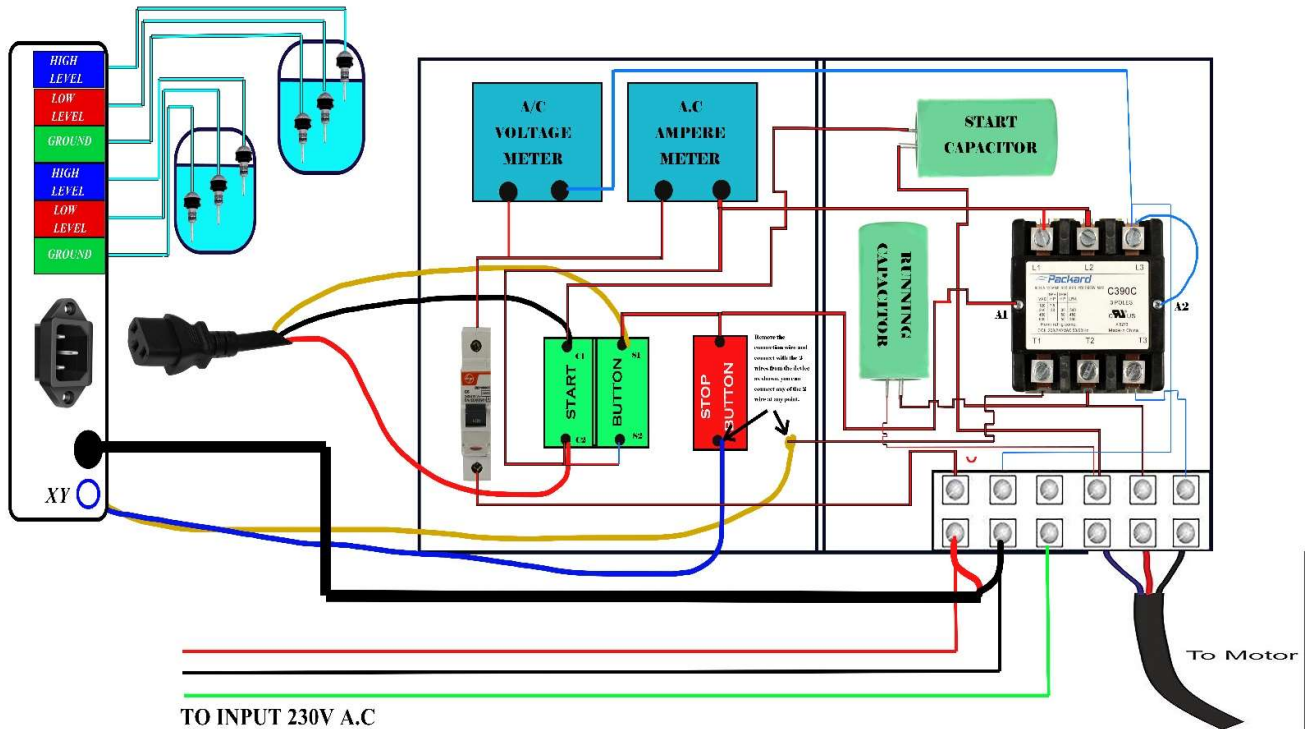


## *Water Level Controller (WLC300)*

*Starts the pump automatically when the overhead tank is empty and stops the pump when the tank is full.*

- *Prevents wastage of water and electricity.*
- *No shortage of water because overhead tank will never be empty.*
- *Pump dry trip facility with 3 sensors in reservoir tank.*
- *Works with most type of Submersible Starter.*
- *Manual and auto mode switch.*
- *Provision for connection with Start Capacitor.*
- *Led indicators for Supply, Load and pump dry.*
- *Rigid ABS Housing.*

## WLC300 CONNECTION WITH MULTICAP SUBMERSIBLE STARTER



## MULTICAP STARTER EXAMPLES





## Water Level Controller Selection Guide

### 1. Multicap Submersible Pump Starter

Here the Pump Turns ON by Pressing the Green Button and Turns OFF by pressing the red button. Ampere and Voltage metre present in Starter.



Upto 2HP Pump  
Recommended Model - WLC300  
More than 2HP Pump  
Recommended Model - WLC500

### 2. Singlecap MCB Type ON-OFF Starter.

Here the Pump Turns ON by turning ON the MCB and turns OFF by turning OFF the MCB.



Recommended Model - WLC200 For upto 3 HP Pump.



# Circuits & Controls



## 3. Direct Monoblock / Tulu Pump ( NO Starter)



Upto 1HP Pump  
Recomended Model - ELR10P  
Upto 3HP Pump  
Recomended Model - WLC200

## 4. Direct ON-Line (DOL) Starter



Recomended Model- ELR10P / WLC200

---